

WALL INDICATOR POST

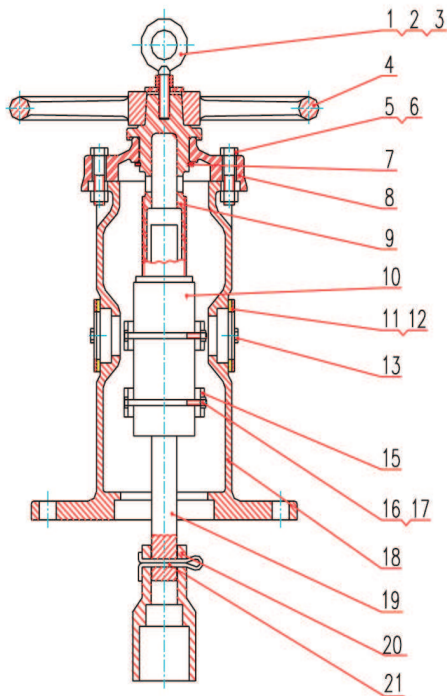
■ Remove the Top Section from the top indicator post assembly ■ Set the OPEN and SHUT targets for appropriate size

■ FM Approved and UL Listed

Depressurize and drain the piping system before attemptin to install, remove, adjust, or maintain piping products

Description

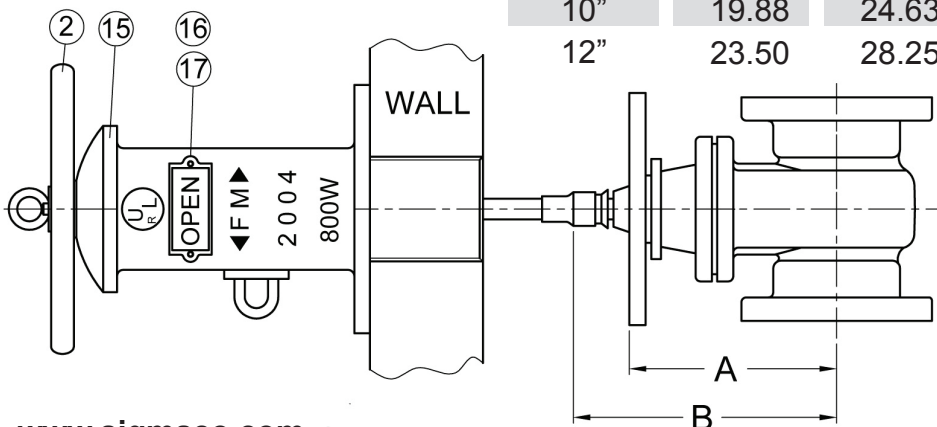
WALL INDICATOR POST



NO.	COMPONENT	MATERIAL
1	Eye Bolt	Carbon Steel ASTM A307B
2	Hex Nut	Carbon Steel ASTM A307B
3	Washer	Carbon Steel ASTM A570 Gr. 33
4	Handwheel	Ductile Iron ASTM A536 Gr. 65-45-12
5	Hex Cap Screw	Carbon Steel ASTM A307B
6	Square Nut	Carbon Steel ASTM A307B
7	Snap Ring	Stainless Steel AISI 1066
8	Cover	Cast Iron ASTM A126 Class B
9	Operating Nut	Bronze ASTM B62 C83600
10	Operating Nut	Stainless Steel AISI 304
11	Target Carrier Nut	Bronze ASTM B62 C83600
12	Target Carrier Nut	Stainless Steel AISI 304
12	Window Glass	Plexiglass
13	Gasket	PTFE
14	Hex Nut	Carbon Steel ASTM A307B
15	Plug	Malleable Iron
16	Target	Cast Aluminum
17	Hex Cap Screw	Carbon Steel ASTM A307B
18	Hex Nut	Carbon Steel ASTM A307B
19	Body	Cast Iron ASTM A126 Class B
19	Stem	Carbon Steel ASTM 1045
20	Crane Coupling	Ductile Iron ASTM A536 Gr. 65-45-12
21	Cotter Pin	Stainless Steel AISI 304

ITEM CODE
UFP012

Nominal Size	Dimension in Inches		Ext. Rod Length	Approx Net. Wt. (Lbs)
	A	B		
4"	9.56	13.63	3"	90 (All Sizes)
6"	13.69	18.00	3"	
8"	16.50	21.00	3"	
10"	19.88	24.63	3"	
12"	23.50	28.25	3"	



Note:

1. Used for applications where a valve is installed behind a wall.
2. The wall flange of the wall type Indicator Post is tapped for 4" schedule 40 steel pipe which etends through the wall.
3. Handwheel operation.

www.sigmaco.com